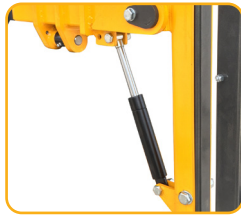


PRO CUT T300 PROFESSIONAL

Cimatrice professionale autolivellante bilama - Professional auto leveling double blade trimmer
Rogneuse professionnelle à section double lame - Professioneller einseitiger laubschneider



Molla sicurezza top
Top spring security
Ressort de sécurité top
Top Sicherheitsfeder



Molla gas antiurto - Gas spring security
Sécurité avec vérin à gaz - Sicherheitsgasfeder

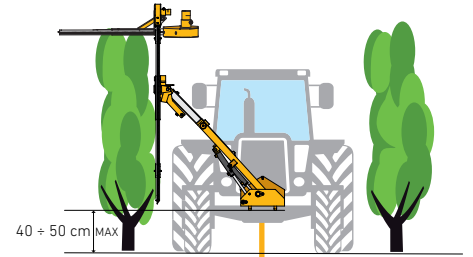


Bilama / Guide PVC
Double blade / PVC support
Double section / PVC lamier
Doppelklingen- / PVC-Führungen

Ø 1-2 cm



OPTIONAL COD.1A32205



**AUTOLIVELLANTE | SELF-LEVELLING
AUTO-LIVELLANT | SELBSTNIVELLIEREND**



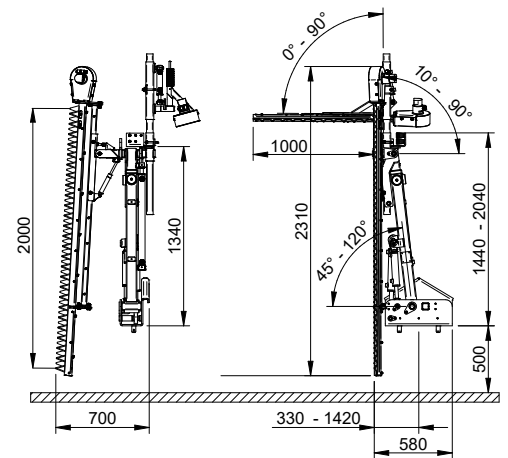
Sistema autolivellante
Self-levelling system
Système auto-livellant
Selbstnivellierendes System



Aggancio rapido maschio | femmina
Quick connection male | female
Connection rapid male | female
Männliche | weibliche Befestigung

Dati tecnici | Technical data | Fiche technique | Technische Daten

MOD.	mm	Kg
PRO CUT T300	100	295



COD. **103370J**

Movimenti - Movements - Mouvements - Bewegungen

4+1 + ON/OFF MOTOR

Joystick

Distributore

Oil - Pressure

25 lt/min 180 bar max

STAFFE PER TRATTORI E SERBATOI - TRACTOR BRACKETS AND OIL TANKS - SUPPORTS ET RÉSERVOIRS DE TRACTEUR - TRAKTORHALTERUNGEN UND TANKS Pag. 59

OPTIONAL	Descrizione - Description - Description - Beschreibung	
1A32205	Convogliatore alzatracci idraulico - Hydraulic conveyor Convoyeur hydraulique - Hydraulischer Hebebandförderer	
1A32330	Alzata verticale topping indipendente a leve o joystick (5+1) H. = 40 cm - Independent vertical topping lift with levers or joystick (5+1) - H. = 40 cm Control vertical independent top avec levier ou joystick (5+1) H. = 40 cm - Vertikaler unabhängiger Richtlift mit Hebeln oder Joystick (5+1) H. = 40 cm	